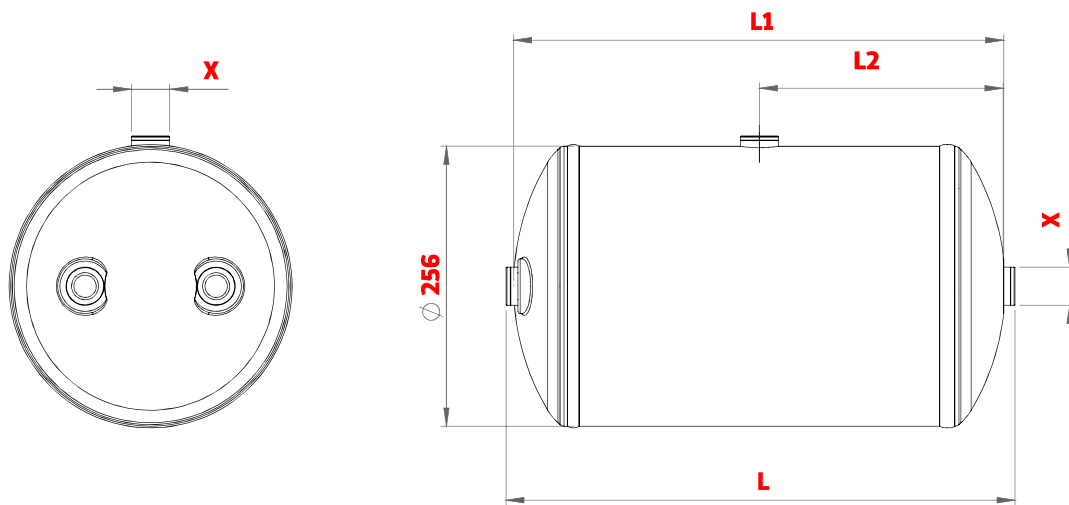
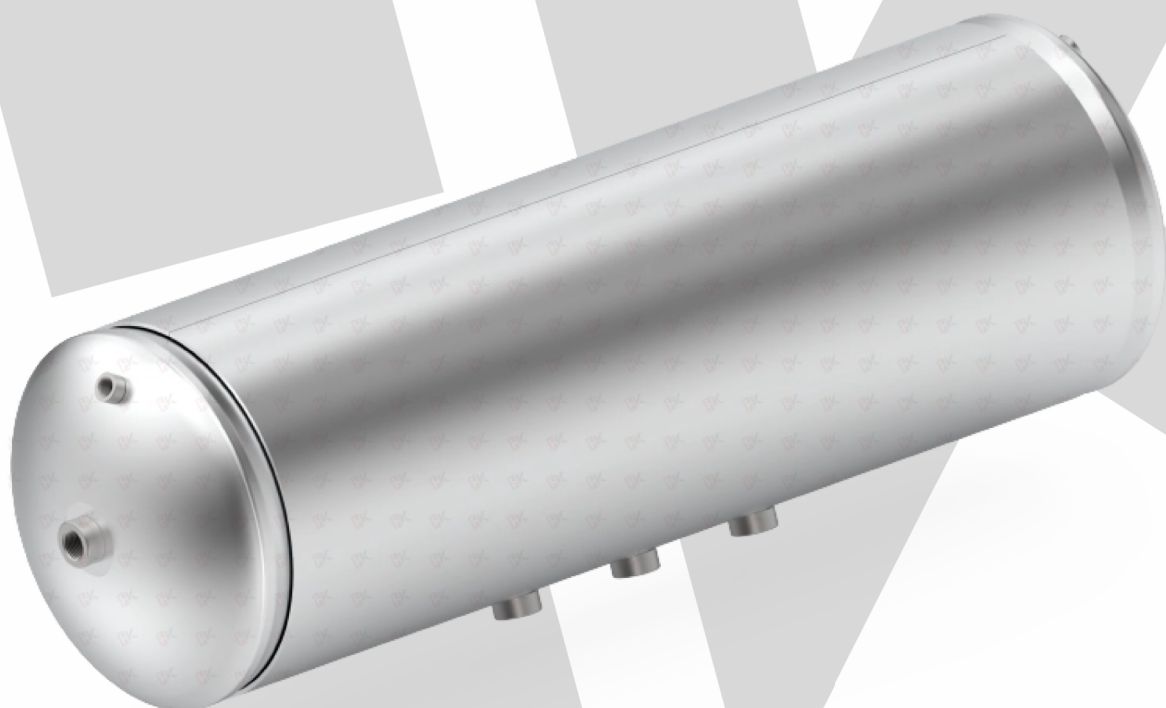


Ø 246

ALUMINIUM AIR TANKS

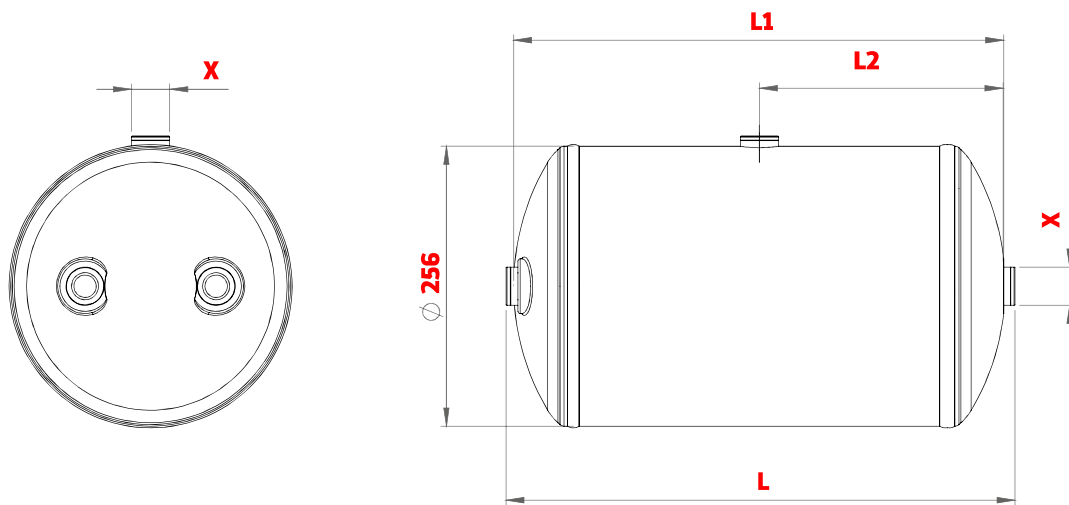


Product Code	Capacity (Lt.)	Ø Diameter (mm)	L	L1	L2	X	Working pressure (Bar)
TAA246020	20	246	522	500	261	M22X1,5	12,5
TAA246025	25	246	622	600	361	M22X1,5	12,5
TAA246030	30	246	722	700	361	M22X1,5	12,5

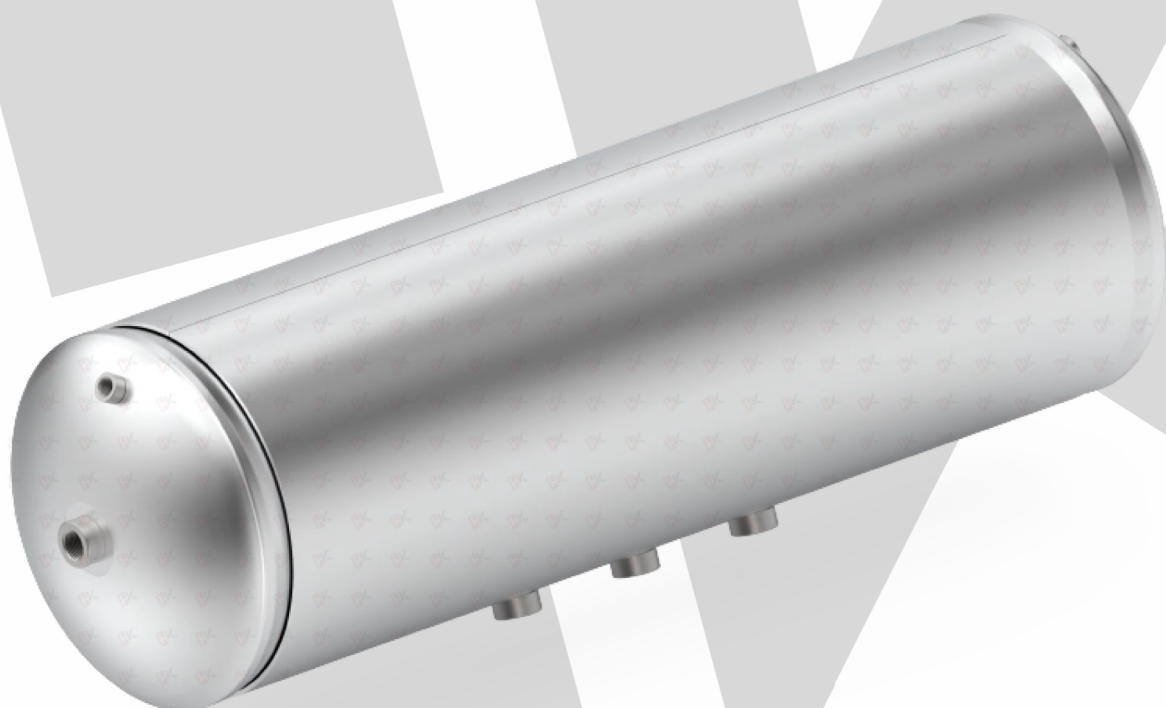


Ø 276

ALUMINIUM AIR TANKS

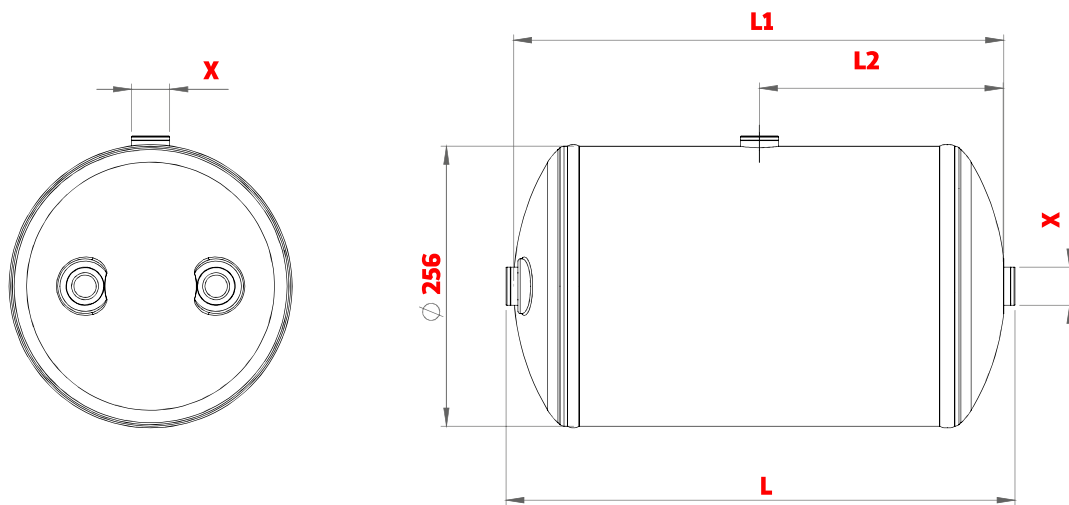


Product Code	Capacity (Lt.)	Ø Diameter (mm)	L	L1	L2	X	Working pressure (Bar)
TAA276030	30	276	552	530	276	M22X1,5	12,5
TAA276040	40	276	672	650	336	M22X1,5	12,5
TAA276060	60	276	1022	1000	511	M22X1,5	12,5

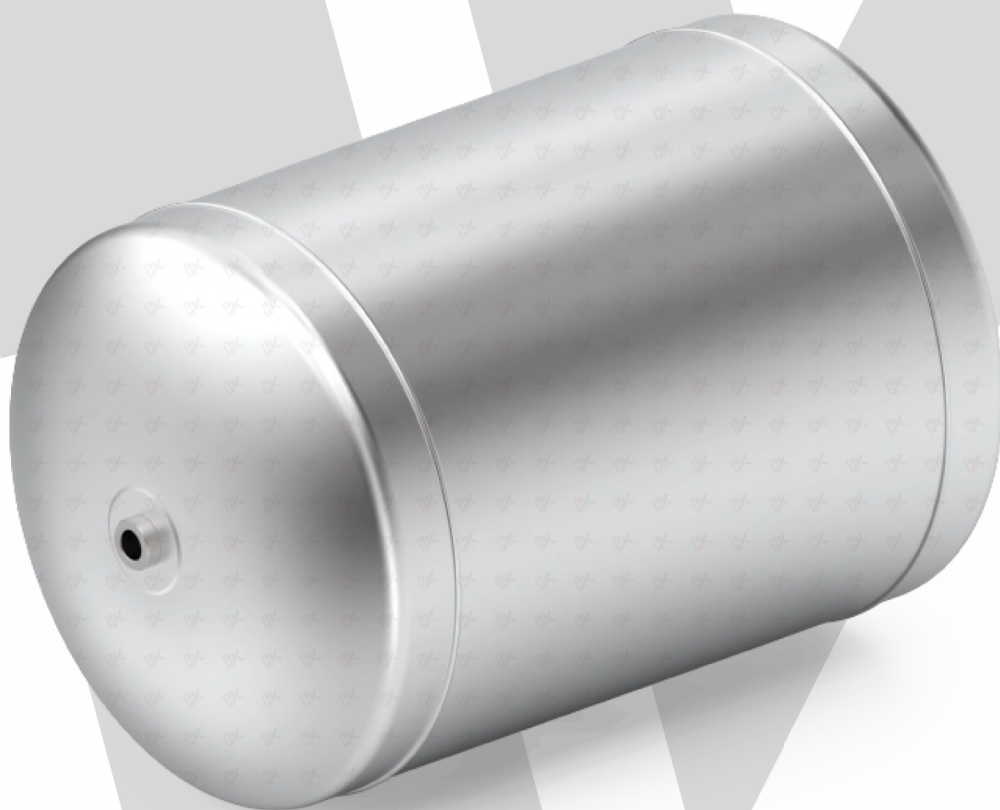


Ø 305

ALUMINIUM AIR TANKS



Product Code	Capacity (Lt.)	Ø Diameter (mm)	L	L1	L2	X	Working pressure (Bar)
TAA305040	40	305	592	570	296	M22X1,5	12,5
TAA305060	60	305	882	860	441	M22X1,5	12,5
TAA305080	80	305	1162	1140	581	M22X1,5	12,5



Ø 396

ALUMINIUM AIR TANKS